

# CLARKIE®

## air



## AIR HAMMERS

MODEL NO: CAT138/CAT139

PART NO: 3120152 /3120153

## OPERATING & MAINTENANCE INSTRUCTIONS

UK  
CA | CE

ORIGINAL INSTRUCTIONS

GC02/22 - rev 4

# INTRODUCTION

Thank you for purchasing this CLARKE Air Hammer. Before attempting to use this product, please read this manual thoroughly and follow the instructions carefully. In doing so you will ensure the safety of yourself and that of others around you, and you can look forward to your purchase giving you long and satisfactory service.

## GUARANTEE

This product is guaranteed against faulty manufacture for a period of 12 months from the date of purchase. Please keep your receipt which will be required as proof of purchase.

This guarantee is invalid if the product is found to have been abused or tampered with in any way, or not used for the purpose for which it was intended.

Faulty goods should be returned to their place of purchase, no product can be returned to us without prior permission. This guarantee does not effect your statutory rights.

## SPECIFICATIONS

	<b>CAT138</b>	<b>CAT139</b>
Maximum Operating Pressure	90 psi (6.2 bar)	
Air Consumption (under load)	14 cfm	12 cfm
Max Blows per Min.	3000	4500
Air Inlet Size	1/4" BSP thread	
Vibration Levels	10.6 m/s <sup>2</sup>	
Sound pressure level	98 dB A	
Sound power level	111 dB LWA	
Dimensions (L x W x H)	190 x 50 x 170 mm	190 x 55 x 150 mm
Weight	2.4 kg	2.2 kg

Please note that the details and specifications contained herein are correct at the time of going to print. However Clarke International reserve the right to change specifications at any time without prior notice.

---

# GENERAL SAFETY RULES

---



CAUTION: FAILURE TO FOLLOW THESE PRECAUTIONS COULD RESULT IN PERSONAL INJURY, AND/OR DAMAGE TO PROPERTY.

---

## WORK ENVIRONMENT

1. Keep the work area clean and tidy.
2. Dress appropriately - Do not wear loose clothing or jewellery. Tie long hair out of the way.
3. Keep children and visitors away - Do not let children handle the tool.

## USE

1. Stay alert and use common sense - do not operate this tool when you are tired or under the influence of alcohol, drugs or medication.
2. Always wear eye protectors when using air tools. Eye protectors must provide protection from flying particles from the front and the side.
3. Always wear ear protectors and a dust mask when using an air hammer.
4. Do not overreach - keep proper footing and balance at all times.
5. Do not fit the tool to any stand or clamping device that may damage it.
6. Never use oxygen, CO<sup>2</sup>, combustible gases, or any bottled gas, as a source of power for the grease gun. This product should only be used with a suitably rated compressed air supply.
7. Do not connect the air hose with your finger on the trigger of the tool.
8. Keep the air supply hose away from heat, oil and sharp edges.
9. Do not exceed the maximum pressure for the tool of 90 psi / 6.2 bar.
10. Check hoses for leaks or excessive wear before use, and ensure that all connections are secure.
11. Do not use the tool for any other purpose than described in this manual.
12. Do not carry out any alterations or modifications to the tool.
13. Always disconnect from the air supply when:
  - Performing any maintenance.
  - The tool is not in use.
  - The tool will be left unattended.





- Moving to another work area.
  - Passing the tool to another person.
14. This tool should be serviced at regular intervals by qualified personnel.
  15. Avoid damaging the tool by applying excessive force of any kind.
  16. Always maintain the tool with care. Keep it clean for the best and safest performance.
  17. Do not force or misuse the tool. It will do a better and safer job at the rate for which it was designed.
  18. This tool vibrates with use. Vibration may be harmful to your hands or arms. Stop using the tool if discomfort, a tingling feeling or pain occurs. Seek medical advice before resuming use.
  19. Never carry an air tool by the air supply hose.
  20. Never carry an air tool with your finger on the trigger.

### AIR HAMMER SPECIFIC HAZARDS

1. Only use accessories designed for use with this power tool.
2. Never use any of the chisels supplied as hand struck tool.
3. Never use blunt chisels which require excessive pressure and can break from fatigue. Always use sharp tools.
4. Never mis-use the tool by prising which can result in a broken tool.
5. Ensure there are no hidden electrical cables, gas pipes etc, which could cause a hazard if damaged by action of the chisels.

### IMPORTANT

Please read all of the safety and operating instructions carefully before using this product. The following safety symbols are to be found on the machine.

	<p>Read this instruction booklet carefully before use.</p>		<p>Wear ear protection</p>
	<p>Wear eye protection</p>		<p>Wear dust mask.</p>

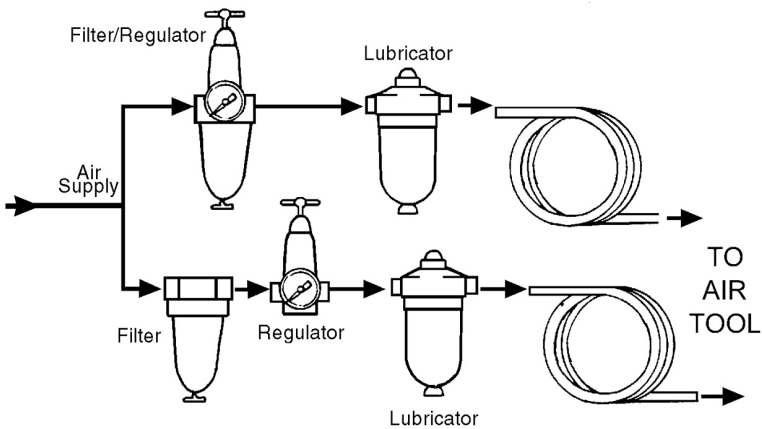
**Keep these instructions in a safe place for future reference.**

# COMPRESSED AIR REQUIREMENTS



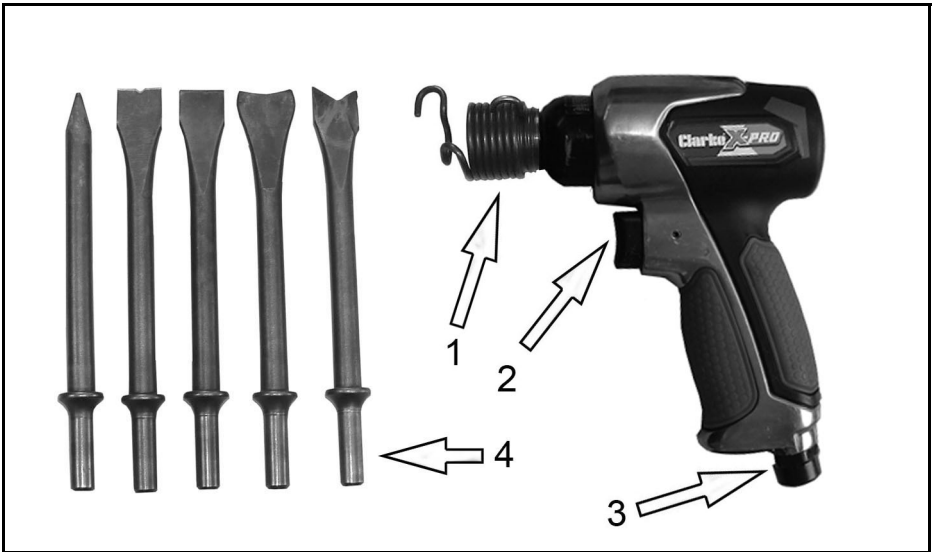
**WARNING: COMPRESSED AIR CAN BE DANGEROUS. ENSURE THAT YOU ARE FAMILIAR WITH ALL PRECAUTIONS RELATING TO THE USE OF COMPRESSORS AND A COMPRESSED AIR SUPPLY.**

- Use only clean, dry, regulated compressed air as a power source.
- Air compressors used with the tool must comply with the appropriate European Community Safety Directives.
- A build-up of moisture or oil in the air compressor will accelerate wear and corrosion in the tool. ensure any moisture is drained from the compressor daily and the inlet filter is kept clean.
- If an unusually long air hose is required, (over 8 metres), the line pressure or the hose inside diameter may need to be increased.
- The air hose must be rated at least 150% of the maximum operating pressure of the tool.



- A typical air line layout is shown above. If an automatic in-line filter/regulator is used, it will keep the tool in good condition, but should be regularly checked & topped up with oil. Clarke air-line oil should be used, and the lubricator adjusted to approx 2 drops per minute.
- Never exceed the maximum operating pressure for the tool. It is recommended that air pressure to this tool does not exceed 90 psi at the tool when running. Higher pressures and unclean air will shorten the life of the tool due to faster wear and is a possible safety hazard.

## OVERVIEW



NO	DESCRIPTION	NO	DESCRIPTION
1	Retaining spring	3	Air Inlet
2	Trigger	4	Chisel Set (CAT138-5 chisels/ CAT139-4 chisels)

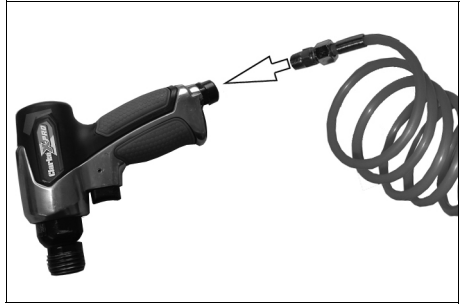
## OPERATION

**NOTE:** Ensure the compressed air supply is turned off.

1. If required, connect an in-line mini oiler to the tool.
  - A mini oiler helps to prolong the life of the air tool. Read the instructions supplied with the mini-oiler before use.

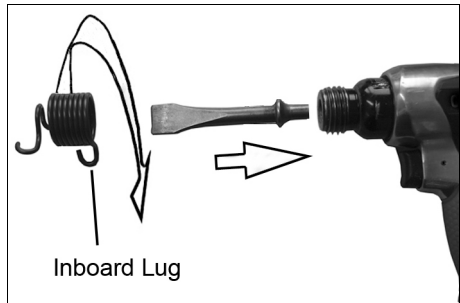
**NOTE:** If a mini-oiler is not being used, insert a few drops of oil into the tool through the air inlet before use.

2. Connect a suitable hose as shown.
3. Connect the other end of the hose to the compressed air supply.
4. Turn on the air supply and check for air leaks. Rectify any found before proceeding.
  - PTFE tape may be helpful for sealing threaded connections.
5. Your air tool is now ready for use.



## FITTING THE CHISEL

1. First remove the retaining spring from the nose by unscrewing it.
  - Use the inboard lug to gain purchase.
2. Insert the chisel into the air hammer as shown.
3. Replace the retaining spring as shown.
  - Use the lugs to tighten.



## USING THE AIR HAMMER

1. Hold the tool firmly, then bring the tool towards the work at an angle of approximately 60-70 degrees.
2. Pull the trigger with the chisel in light contact with the work.
3. Move slowly across the work surface. To remove scale, rust or other contaminants, only a light force should be required.
4. Release the trigger to stop operation, whilst maintaining contact with the work.



**NOTE:** that the tool may impact briefly after the trigger is released.

**NOTE:** The retaining spring has a life expectancy, depending upon the intensity of usage. It is recommended that you procure a spare spring for use in the event of failure occurring during the course of a particular job.

## DISCONNECTING THE AIR SUPPLY

Do not disconnect the air supply hose until the air supply has been shut down and the compressed air pressure released.

1. Refer to the compressor instruction manual for the procedure to shut down and release the compressed air.
2. Once the pressure has been released, disconnect the air supply hose from the air tool.
3. Store the tool safely in its box in a dry, secure environment.

## TROUBLESHOOTING

SYMPTOM	PROBLEM	SOLUTION
Tool runs slowly or will not operate.	Dirt or gum in the tool	Flush the tool with air line oil or gum solvent.
	Air hose leaks.	Tighten and seal hose fittings with teflon tape.
	Low air pressure.	Adjust compressor regulator to 90 psi. Check the hose is the correct size and length.
	No oil in tool	Lubricate the tool.
	Worn rotor blades.	Return to Clarke dealer for repair.
	Water in airline.	Drain air receiver and/or in-line filter. Run tool until clear of water. Oil tool again.
Tool will not shut off.	O-rings damaged or ill-fitting in seat.	Return to Clarke dealer for repair.
Tool runs erratically.	Cylinder may have come loose from the housing.	Tighten cylinder or return to Clarke dealer.

## ACCESSORIES

A wide range of airline accessories is available including filter/regulators, lubricators, high-pressure hoses (5 to 50 metres) etc.

Contact your Clarke dealer or Clarke International Service Department for further information.



---

# MAINTENANCE

---



**WARNING: MAKE SURE THAT THE AIR TOOL IS DISCONNECTED FROM THE AIR SUPPLY BEFORE STARTING ANY CLEANING, OR MAINTENANCE PROCEDURES.**

---

## DAILY

1. Before use, drain any water from the compressed air supply.
2. This air tool should be lubricated before use. Turn the tool upside down and pour 1-2 drops of Clarke air-line oil into the air inlet. This should be carried out regardless of whether or not an in-line mini oiler is used. If an in-line mini oiler is not used, this procedure should be repeated after every two to three hours of constant use.

## CLEANING

1. Keep all parts of the tool clean.
2. Deposits in the tool may also reduce efficiency. This can be corrected by cleaning the air inlet and flushing out the tool with gum solvent, or failing this, the tool should be disassembled, thoroughly cleaned, dried and reassembled.
3. If the tool becomes inefficient and the air supply is of good quality, it may be necessary to replace worn or damaged parts. You may prefer to take the tool to your Clarke dealer if internal maintenance is required.

Your Clarke air tool has been designed to give long and trouble free service. If, however, having followed the instructions in this booklet carefully, you encounter problems, take the unit to your local Clarke dealer.

## PERFORMANCE

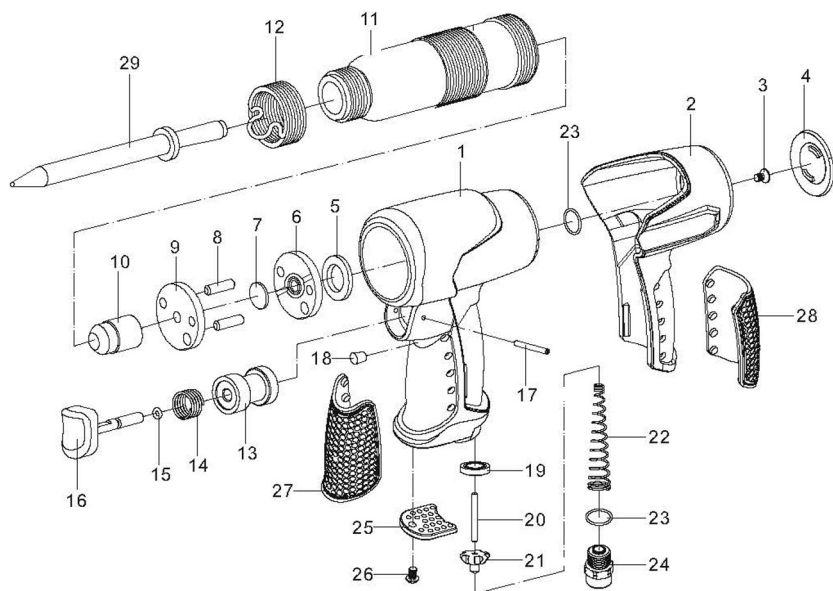
Please note that factors other than the tool may effect its operation and efficiency such as reduced compressor output, excessive drain on the airline, moisture or restrictions in the air-line, or the use of connectors of improper size or poor condition which will reduce air supply.

\*\*Clarke Air-line Oil (part no. 3050825) is available from your Clarke dealer.

## STORAGE

If the tool is to be stored, or is idle for longer than 24 hours, run a few drops of Clarke air-line oil into the air inlet and run the tool in order to lubricate the internal parts. When not in use, disconnect the tool from the air supply, clean and store in a safe, dry place.

# PARTS LIST & DIAGRAM



No	Description
1	Housing
2	Housing Cover
3	Screw
4	End Cover
5	Washer
6	Rear Plate
7	Valve
8	Set Pin
9	Front Plate
10	Piston
11	Cylinder
12	Retaining Spring
13	Trigger Sleeve
14	Spring
15	O-Ring

No	Description
16	Trigger
17	Roll Pin
18	Plug
19	Oil Seal
20	Pin
21	Pin Cover
22	Spring
23	O-Ring
24	Air Inlet
25	Muffler
26	Screw
27	Soft Grip-Front
28	Soft Grip-Rear
29	Chisel

# DECLARATION OF CONFORMITY



Hemmill Street, Epping, Essex CM16 4LQ

## DECLARATION OF CONFORMITY

This is an important document and should be retained.

We hereby declare that this product(s) complies with the following statutory requirement(s):

*Supply of Machinery (Safety) Regulations 2008*

The following standards have been applied to the product(s):

BS EN ISO 11148-4:2012

The technical documentation required to demonstrate that the product(s) meet(s) the requirement(s) of the aforementioned legislation has been compiled and is available for inspection by the relevant enforcement authorities.

The UKCA mark was first applied in: 2022

**Product Description:** Air Hammer  
**Model number(s):** CAT138, CAT139  
**Serial / batch Number:** N/A  
**Date of issue:** 09/02/2022

**Signed:**

J.A. Clarke  
Director

CAT138 UKCA Clarke DOC 020922  
CAT139 UKCA Clarke DOC 020922

Page 1 of 1



Fitzwilliam Hall, Fitzwilliam Place, Dublin 2

## DECLARATION OF CONFORMITY

This is an important document and should be retained.

We hereby declare that this product(s) complies with the following directive(s):

*2006/42/EC Machinery Directive.*

The following standards have been applied to the product(s):

EN ISO 11148-4:2012

The technical documentation required to demonstrate that the product(s) meet(s) the requirement(s) of the aforementioned directive(s) has been compiled and is available for inspection by the relevant enforcement authorities.

The CE mark was first applied in: 2013

**Product Description:** Air Hammer  
**Model number(s):** CAT138, CAT139  
**Serial / batch Number:** N/A  
**Date of issue:** 09/02/2022

**Signed:**

J.A. Clarke  
Director

CAT138 CE Clarke DOC 020922  
CAT139 CE Clarke DOC 020922

Page 1 of 1

# A SELECTION FROM THE VAST RANGE OF

# Clarke®

## QUALITY PRODUCTS



**AIR COMPRESSORS**  
From DIY to industrial, Plus air tools, spray guns and accessories.

**GENERATORS**  
Prime duty or emergency standby for business, home and leisure.

**POWER WASHERS**  
Hot and cold, electric and engine driven - we have what you need

**WELDERS**  
Mig, Arc, Tig and Spot.  
From DIY to auto/industrial.

**METALWORKING**  
Drills, grinders and saws for DIY and professional use.

**WOODWORKING**  
Saws, sanders, lathes, mortisers and dust extraction.

**HYDRAULICS**  
Cranes, body repair kits, transmission jacks for all types of workshop use.

**WATER PUMPS**  
Submersible, electric and engine driven for DIY, agriculture and industry.

**POWER TOOLS**  
Angle grinders, cordless drill sets, saws and sanders.

**STARTERS/CHARGERS**  
All sizes for car and commercial use.



## PARTS & SERVICE: 0208 988 7400

**Parts Enquiries**  
[Parts@clarkeinternational.com](mailto:Parts@clarkeinternational.com)

**Servicing & Technical Enquiries**  
[Service@clarkeinternational.com](mailto:Service@clarkeinternational.com)

SALES: UK 01992 565333 or Export 00 44 (0)1992 565335

**Clarke® INTERNATIONAL** Hemnall Street, Epping, Essex CM16 4LG  
[www.clarkeinternational.com](http://www.clarkeinternational.com)